

Sealing rings

Hygienic Design

SPECIFICATION

Version in H-NBR

Hydrogenated acrylonitrile butadiene rubber

- blue
- temperature resistant -25 °C to +150 °C
- FDA compliant
- Hardness 85 ±5 Shore A **85**

Version in EPDM

Ethylene propylene diene rubber

- blue
- temperature resistant -40 °C to +120 °C
- FDA compliant
- Hardness 85 ±5 Shore A **85**

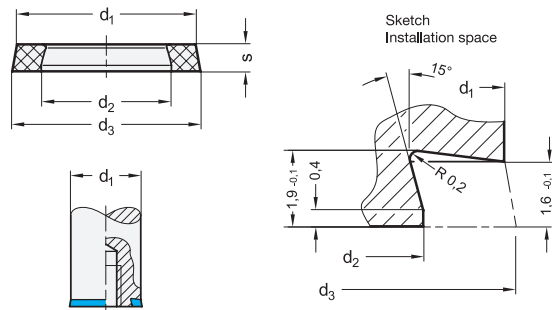


INFORMATION

Components with cylindrical mounting surfaces which are installed in hygienic areas can be sealed and mounted without dead spaces using GN 7600 Sealing rings.

As delivered, or unassembled, the sealing rings have the "actual dimensions" as stated in the table. To ensure a firm seating and reliable sealing, an installation space must be provided in the component as shown in the diagram. This ensures that when the sealing ring is installed, it will be subject to the necessary pressure without excess load. All surfaces which are in contact with the sealing ring should have a minimum surface quality of Ra 0.8 µm.

Elesa+Ganter standard parts which are supplied with GN 7600 Sealing rings are listed in the table and can be supplied individually in case service is required.



* Complete with material index of the Sealing rings

HNBR **EPDM**

Application example

GN 7600

STAINLESS STEEL

Description	d1 Nominal dim.- Installation space	d2 Nominal dim.- Installation space	d3 Nominal dim.- Installation space	s Nominal dim.- Installation space	d1 Actual dim.- Sealing rings	d2 Actual dim.- Sealing rings	d3 Actual dim.- Sealing rings	s Actual dim.- Sealing rings	Suitable for	
GN 7600-11-7-2-*-85	11	7	11.8	1.6	10.25	6	11.35	2	-	1
GN 7600-12-8-2-*-85	12	8	12.8	1.6	11.25	7	12.35	2	GN 429 GN 1580	1
GN 7600-13-9-2-*-85	13	9	13.8	1.6	12.25	8	13.35	2	-	1
GN 7600-14-10-2-*-85	14	10	14.8	1.6	13.25	9	14.35	2	GN 75.6 GN 305 GN 1580	1
GN 7600-16-12-2-*-85	16	12	16.8	1.6	15.25	11	16.35	2	GN 75.6 GN 429	1
GN 7600-18-14-2-*-85	18	14	18.8	1.6	17.25	13	18.35	2	GN 75.6 GN 305 GN 1580 GN 5435 GN 5445	1
GN 7600-19-15-2-*-85	19	15	19.8	1.6	18.25	14	19.35	2	-	1
GN 7600-21-17-2-*-85	21	17	21.8	1.6	20.25	16	21.35	2	GN 1580 GN 5435 GN 5445	1
GN 7600-22-18-2-*-85	22	18	22.8	1.6	21.25	17	22.35	2	GN 305 GN 8170	1
GN 7600-25-21-2-*-85	25	21	25.8	1.6	24.25	20	25.35	2	GN 1580	1
GN 7600-28-24-2-*-85	28	24	28.8	1.6	27.25	23	28.35	2	-	1
GN 7600-30-26-2-*-85	30	26	30.8	1.6	29.25	25	30.35	2	GN 20	1
GN 7600-32-28-2-*-85	32	28	32.8	1.6	31.25	27	32.35	2	GN 20 GN 1580	1
GN 7600-34-30-2-*-85	34	30	34.8	1.6	33.25	29	34.35	2	-	1

Weight Material HNBR